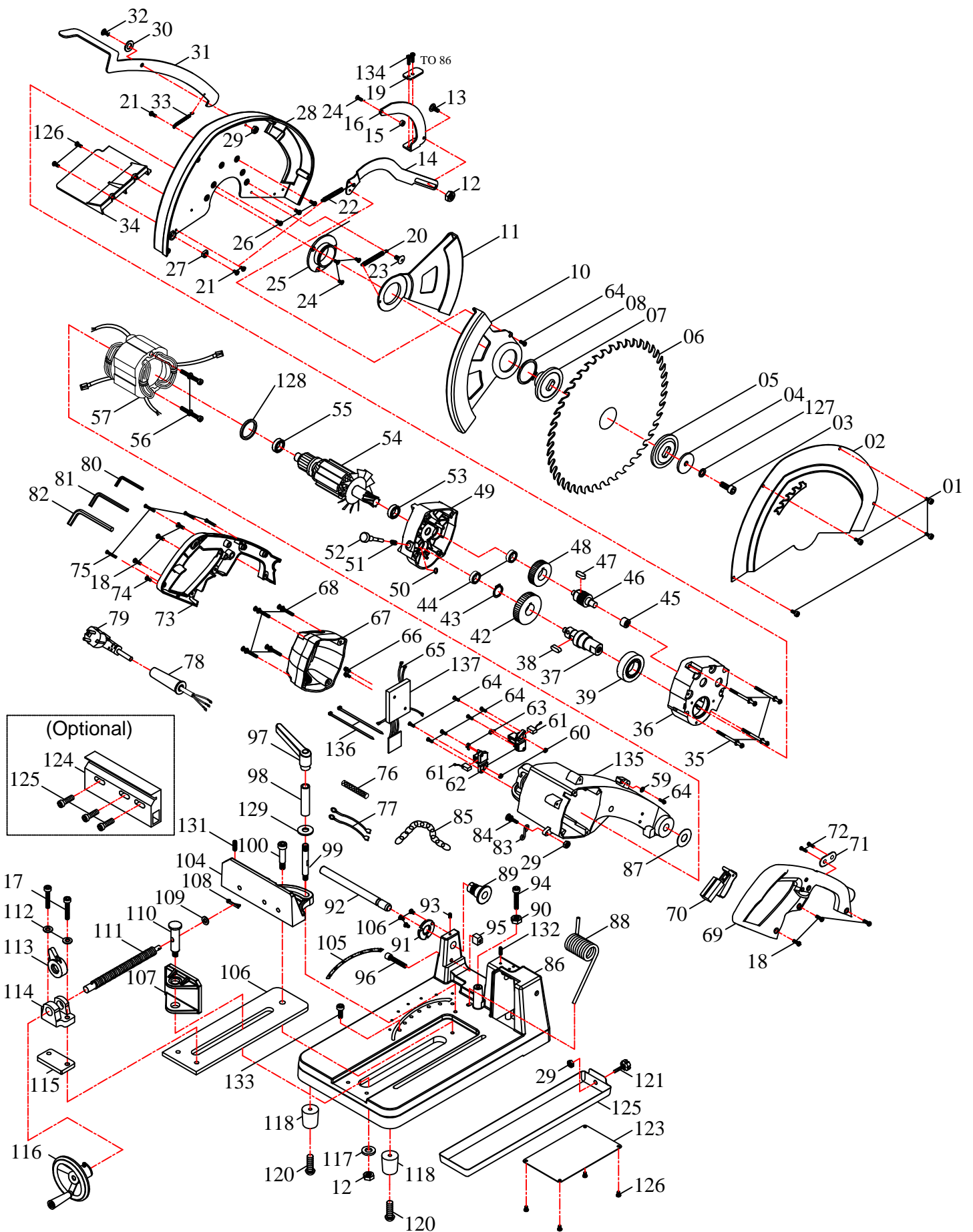


# MODEL : DRC355 355mm (14") DRY-CUT METAL SAW



NO.01-137 Version 2020.06.02