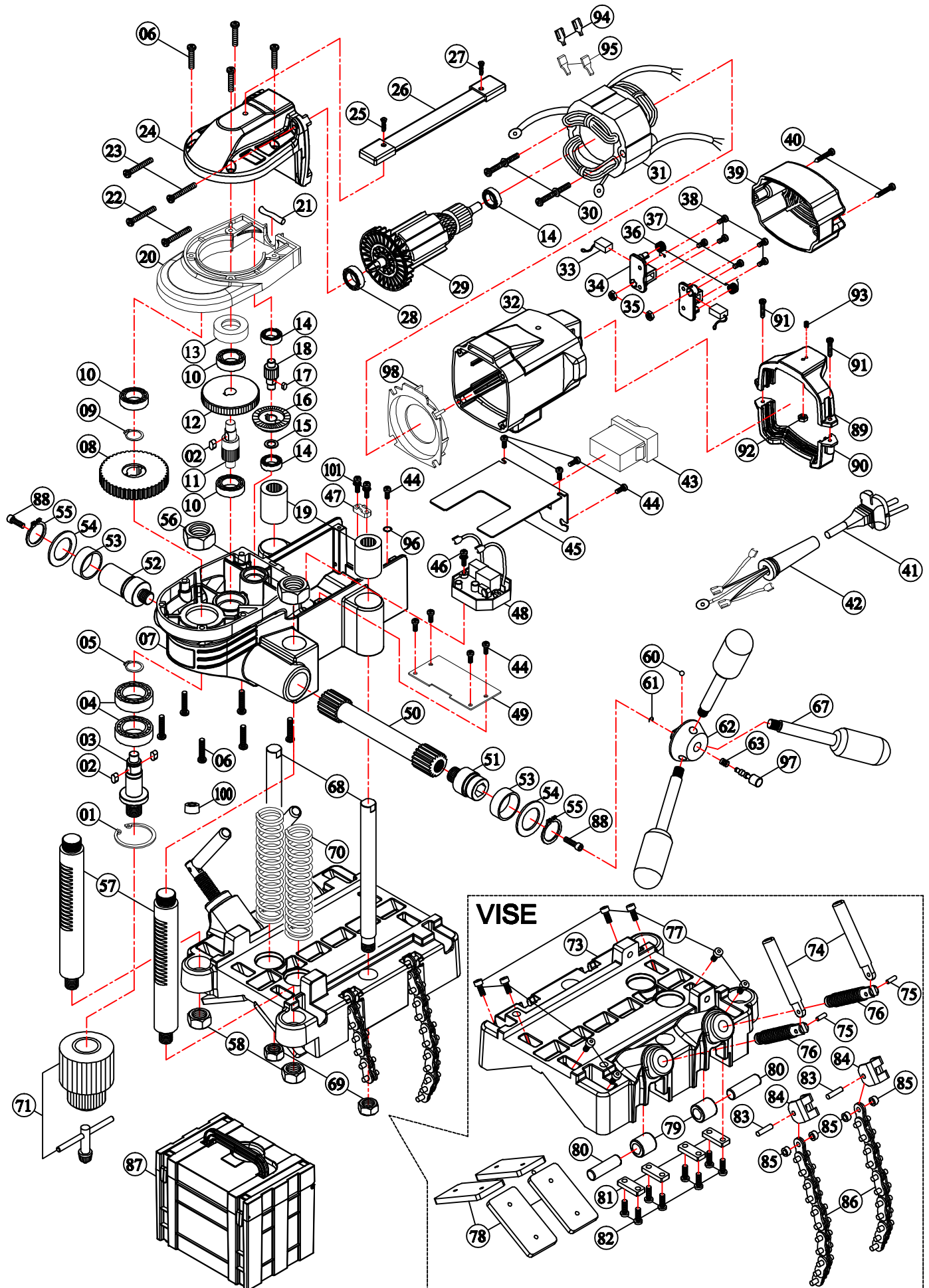


# MODEL : HC127 HOLE CUTTING DRILL



NO.01~101 Version 2.7