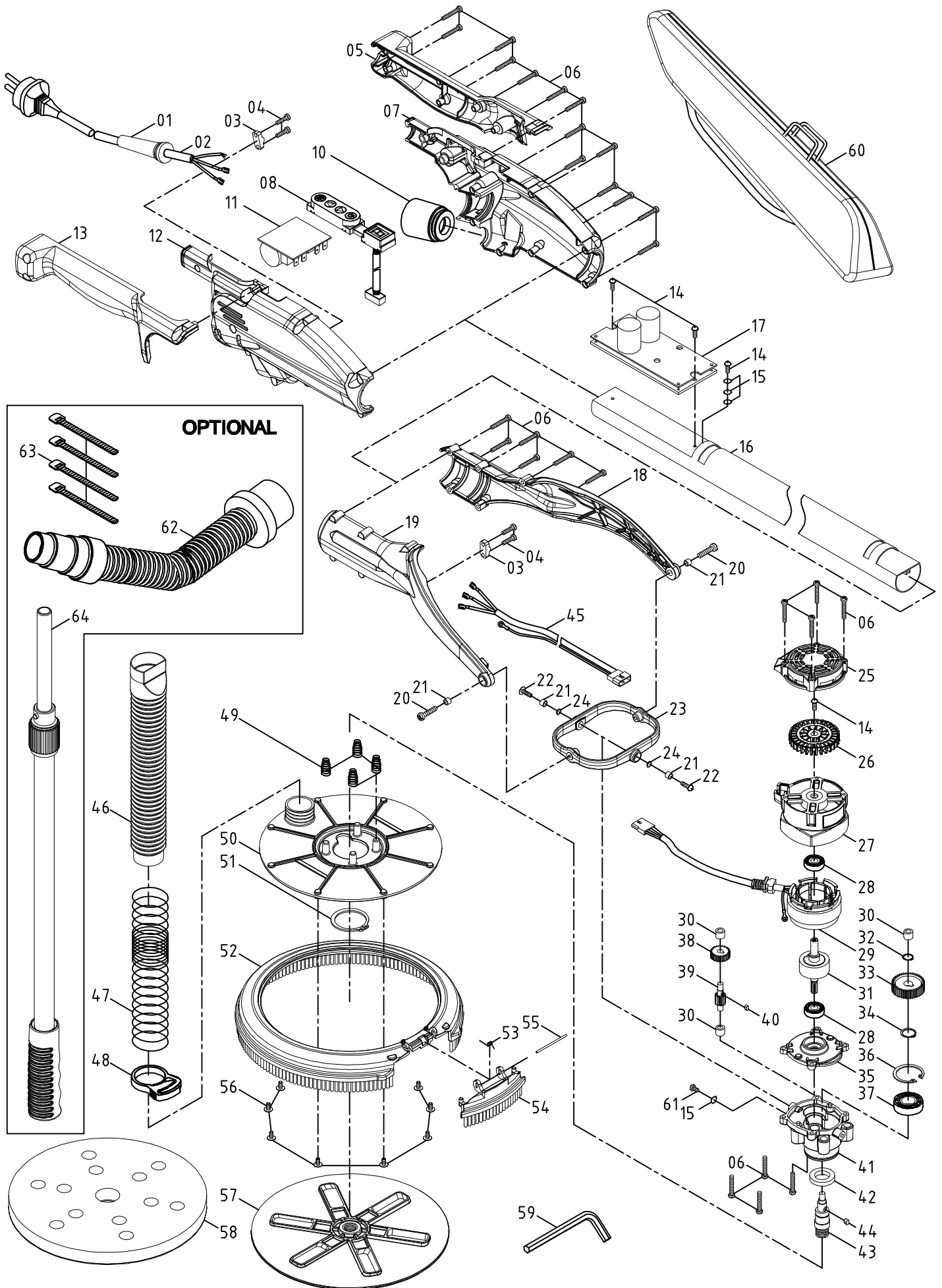


# MODEL : SB9 DRYWALL SANDER



NO.01~64 Version 2020.09.04